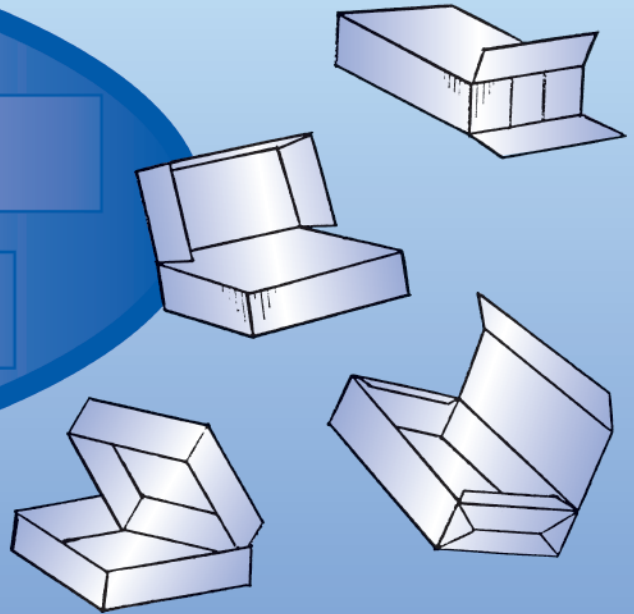
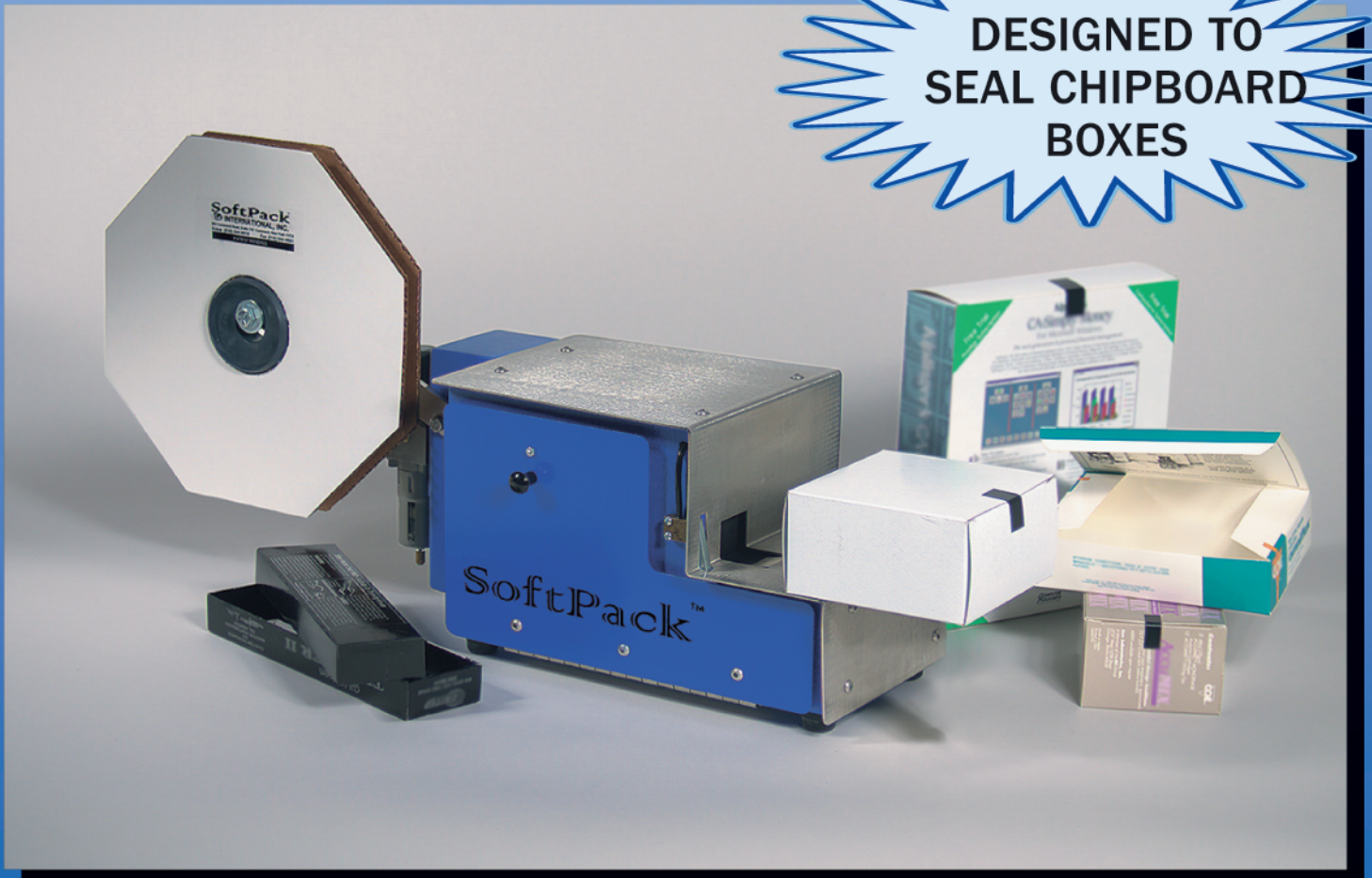


# L-CLIP BOX TAPER

## MODEL L-301/L-301F



DESIGNED TO  
SEAL CHIPBOARD  
BOXES



Patent No. 5514244



**SoftPack**<sup>TM</sup>  
INTERNATIONAL INC.

888-775-4685



[www.spkiintl.com](http://www.spkiintl.com)

# MODEL L-301

L-CLIP PRESSURE-SENSITIVE TAPE SEALER FOR LIGHTWEIGHT *CHIPBOARD* BOXES

- The SoftPack™ L-clip Box Taper Model L-301 is designed to apply short length (7/8" by 7/8") of narrow **pressure sensitive** tape to the front bottom corner of a *chipboard* box introduced into the taping area.
- The unique patented tape cartridge contains 1000 yard roll of narrow width pressure sensitive tape.

## IMPORTANT FEATURES

- Heavy duty steel structure for industrial application
- Complete pneumatic system, no electricity required
- Plug-in installation, low maintenance
- Patented taping mechanism and tape cartridge
- Safety cover for maximum protection
- **Made in USA**

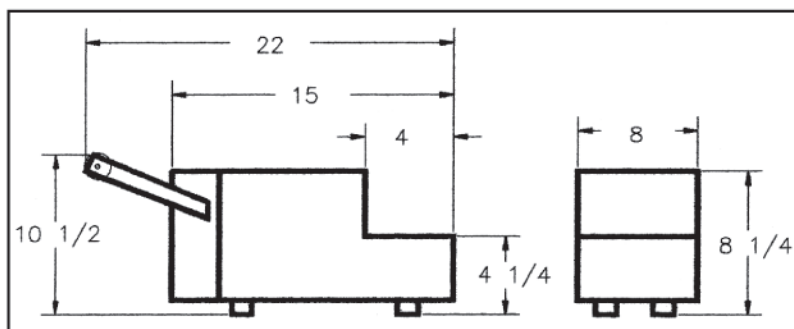
## MACHINE SPECIFICATIONS

- Production Speed: up to 70 L-Clips per minute
- Machine Weight: 25 LB
- Air requirements: 0.06 CF of free air per cycle at 80 PSI
- Available option - guide rail

## PATENTED TAPE CARTRIDGE

Contains 3/4" wide pressure sensitive tape  
Length: 1000 yd  
Will apply over 22,000 L-Clips per cartridge

## MACHINE DIMENSIONS



# MODEL L-301F

L-CLIP FILAMENT TAPE SEALER FOR LIGHTWEIGHT *CHIPBOARD* BOXES

- The SoftPack™ L-clip Box Taper Model L-301F is designed to apply short length (7/8" by 7/8") of narrow **filament** tape to the front bottom corner of a *chipboard* box introduced into the taping area.

## IMPORTANT FEATURES

- Heavy duty steel structure for industrial application
- Complete pneumatic system, no electricity required
- Plug-in installation, low maintenance
- Patented taping mechanism
- Safety cover for maximum protection
- **Made in USA**

## MACHINE SPECIFICATIONS

- Production Speed: up to 70 L-Clips per minute
- Machine Weight: 25 LB
- Air requirements: 0.06 CF of free air per cycle at 80 PSI
- Available option - guide rail

## CLOSURE MATERIALS

Filament tape  
Width: up to 3/4"



**SoftPack™**  
INTERNATIONAL INC.

**888-775-4685**

**www.spkintl.com**

**email: info@spkintl.com**